

LED Slim Ceiling Light Series

LED SLIM CEILING LIGHT INSTRUCTION



CE RoHS

Description

It adopts high brightness high quality LED as luminous body with low-voltage constant current driver, low power consumption, long lifespan, reliability and safety.

The housing, which is elegant and stylish, is made of high-quality anti-UV and heat resistant plastic. Built-in large area of heat dissipation Aluminum plate ensures stable working of LED, and controls light attenuation effectively.

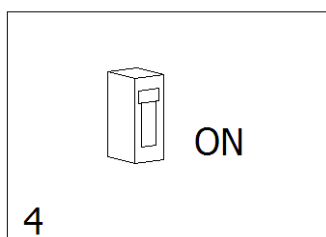
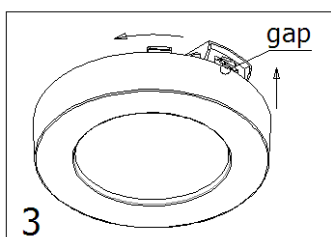
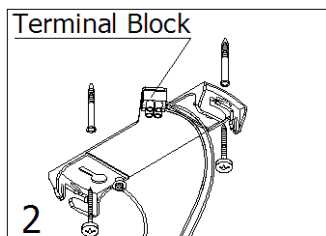
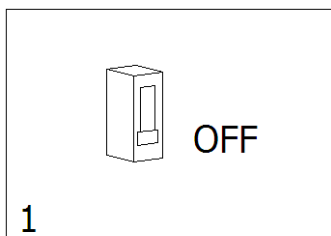
Perfect optical design ensures soft and even light. Instant lighting, no flickering, no glaring. Free of lead, mercury and other harmful substances. This product is widely used in shopping mall, hotel, restaurant and etc.

Notes

- ◆ Only qualified electrician is allowed to do the installation, maintenance and inspection for safety concern. It is dangerous for non-professional operator.
- ◆ Surface mounted installation only.
- ◆ Do not install the product in high temperature or humid place.
- ◆ Storage conditions: room temperature, dry environment.

Installation

1. Turn off the power.
2. Spin the Ceiling bracket anticlockwise from the whole lamp, fix the Ceiling bracket with the expansion pipe and self-tapping screws, and then connect the commercial power wire with the terminal block of the Ceiling bracket.
3. Make sure connecting way is correct, avoiding the wire behind the lamp, correspond the external small gap of the Ceiling light housing to the jaw position of the Ceiling bracket, snap up vertically and rotate counterclockwise to finish the installation.
4. Re-check everything is well-connected, then turn on the power.

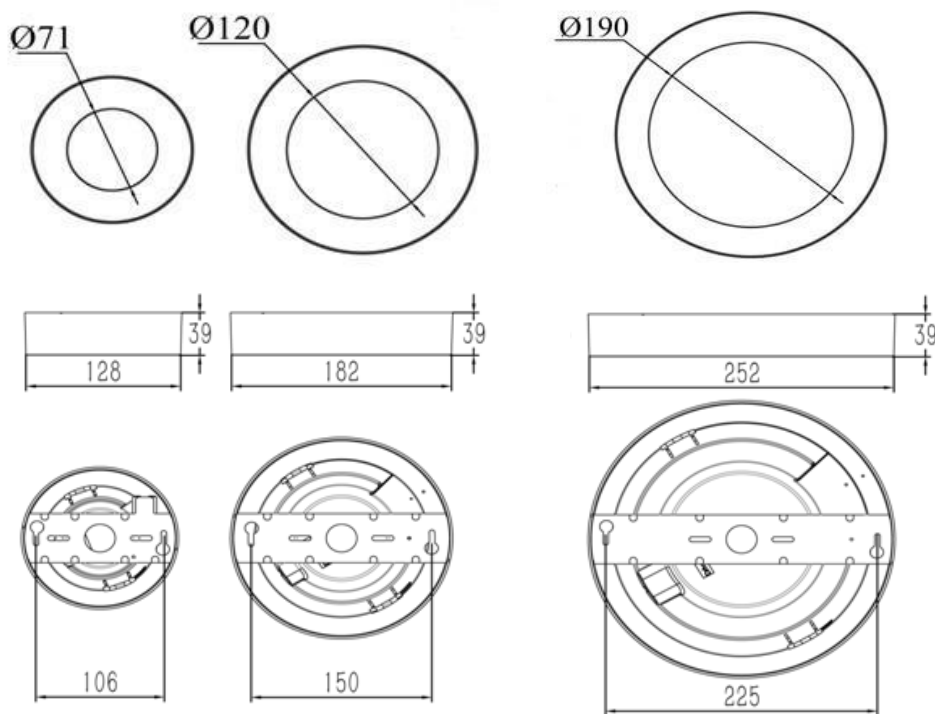


LED Slim Ceiling Light Series

Technical Parameters

Part No.	0498/CA/105 0498/CO/105	0498/CA/150 0498/CO/150	0498/CA/230 0498/CO/230
Input Voltage(VAC)	220-240V AC		
Input Current(A)	<0.08	<0.09	<0.15
Power(W)	6	11	21
Power Factor	>0.5	>0.9	>0.9
Color Temperature(K)	3000 (WW) /4000 (NW)		
Luminous Flux (Lm)	380/400	850/890	1440/1520
Lifespan (hour)	30000		
Protection Rate	Light-emitting surface IP44		
Working Temperature(°C)	-20~40		
CRI (Ra)	>80		

Dimension



WARNING



- * Power should be cut off before installation, maintenance or inspection.
- * Please install and use the light strictly according to the instruction.
- * Do not disassemble or remold the product at will to avoid accident of electric shock or light falling.
- *Working out of temp. range -20°C ~ +40°C will shorten the lifetime of luminaires.