

# LED Slim Down Light Series

---

## LED SLIM DOWN LIGHT INSTRUCTION

### Description

It adopts high brightness high quality LED as luminous body with low -voltage constant current driver, low power consumption, long lifespan, reliability and safety.

The housing, which is elegant and stylish, is made of high-quality anti-UV and heat resistant plastic. Built-in large area of heat dissipation Aluminum plate ensures stable working of LED, and controls light attenuation effectively.

Perfect optical design ensures soft and even light. Instant lighting, no flickering, no glaring. Free of lead, mercury and other harmful substances. This product is widely used in shopping mall, hotel, restaurant and etc.

### Notes

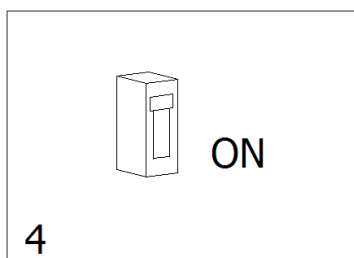
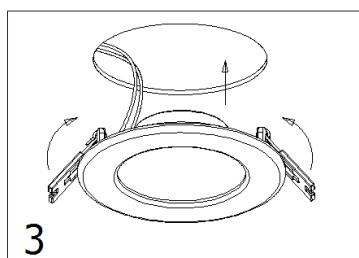
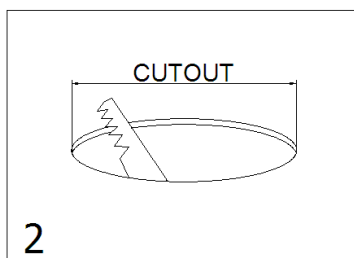
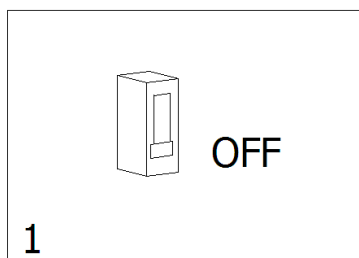
- ◆ Only qualified electrician is allowed to do the installation, maintenance and inspection for safety concern. It is dangerous for non-professional operator.
- ◆ Surface mounted installation only.
- ◆ Do not install the product in high temperature or humid place.
- ◆ Storage conditions: room temperature,dry environment.

### Installation

1. Turn off the power.
2. Drill a suitable mounting hole on ceiling according to size requirement of different item.
3. Connect the commercial power wire with the reserved power supply outlet. Pinch both springs, then push light into installation hole. Make sure the light fixed well.
4. Double-check everything is well-connected, then turn on the power.



CE RoHS

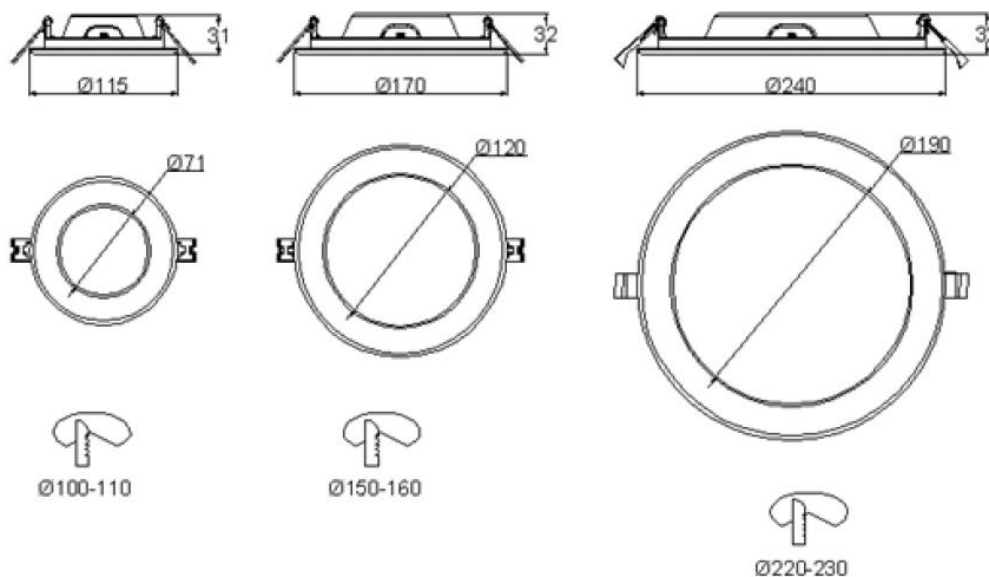


# LED Slim Down Light Series

## Technical Parameters

Part No.	0495/CA/105 0495/CO/105	0495/CA/150 0495/CO/150	0495/CA/230 0495/CO/230
Input Voltage(VAC)	220-240V AC		
Input Current(A)	<0.08	<0.09	<0.15
Power(W)	6	11	21
Power Factor	>0.5	>0.9	>0.9
Color Temperature(K)	3000 (WW) /4000 (NW)		
Luminous Flux (Lm)	380/400	850/890	1440/1520
Cutout(mm)	φ100-φ110	φ150-φ160	φ220-φ230
Lifespan (hour)	30000		
Protection Rate	Light-emitting surface IP44		
Working Temperature(°C)	-20~40		
CRI (Ra)	>80		

## Dimension



### WARNING



- \* Power should be cut off before installation, maintenance or inspection.
- \* Please install and use the light strictly according to the instruction.
- \* Do not disassemble or remold the product at will to avoid accident of electric shock or light falling.
- \*Working out of temp. range -20°C ~ +40°C will shorten the lifetime of luminaires.